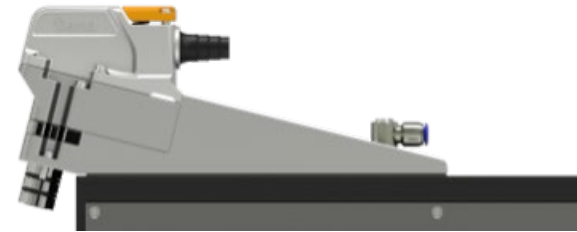


OptiFlow Injectors – Like New, Every Time

The OptiFlow's new and unique design combines the injector sleeve and nozzle into the same **cartridge**, that can be replaced in a snapshot for the easiest maintenance.

Every time you replace your cartridge, you have a **like-new injector** with the best performance.

The smart and optimized inline design reduces wear and guarantees a **consistent powder flow for a long time**.

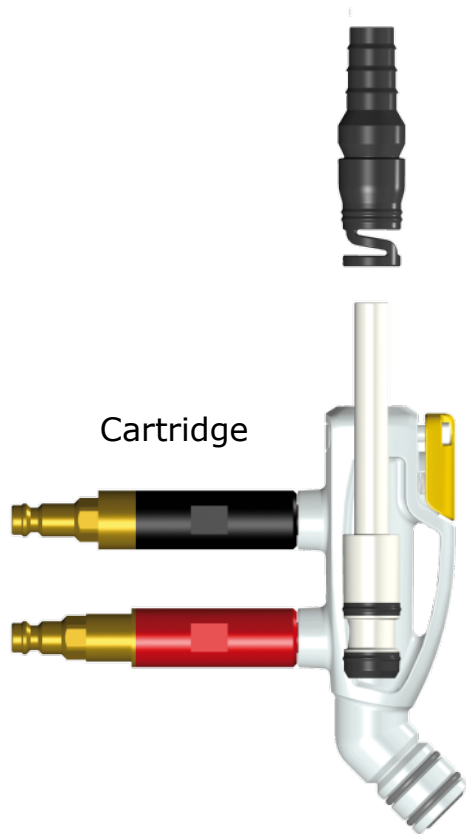


Unique Cartridge Design
Nozzle + Sleeve

Optimized
Inline Design

Reduced Wear Consistent
Powder Conveying

State-of-the-art injector

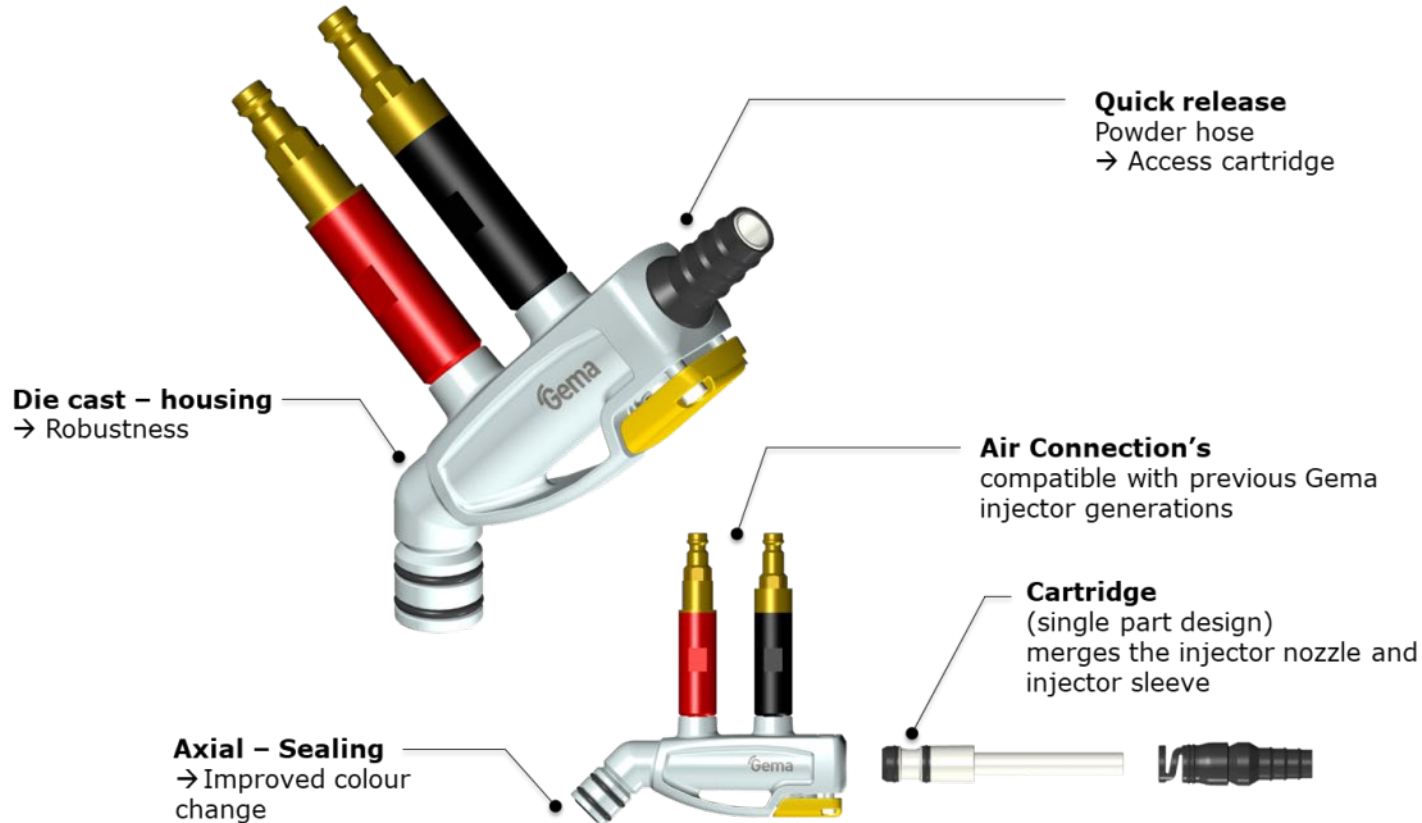


- **Single-component cartridge design**
 - By simply exchanging the innovative cartridge, the injector performance is optimally maintained
- **Plug & Convey**
 - All connections are equipped with a robust quick release mechanism, disconnected and reassembled with ease
- **Inline design**
 - Unique injector geometry for accurate powder conveying and color change

Result

- **Consistent powder output**
- **Quick and easy maintenance**

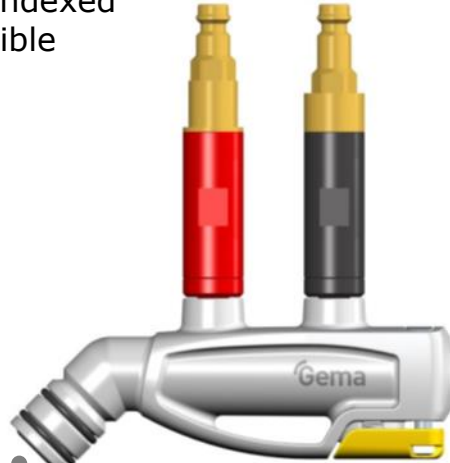
OptiFlow IG07- Design features



OptiFlow IG07- Design features

Air connections

Mechanically indexed
Gema compatible



Axial sealing

Improved color change

Cartridge *

Single part / merges the injector nozzle
and injector sleeve
* Main spare part



Powder hose holder

Plug and spray

Quick Release

Powder hose
cartridge access

OptiFlow IG08- Design features

Air connections

Integrated (no tubing)

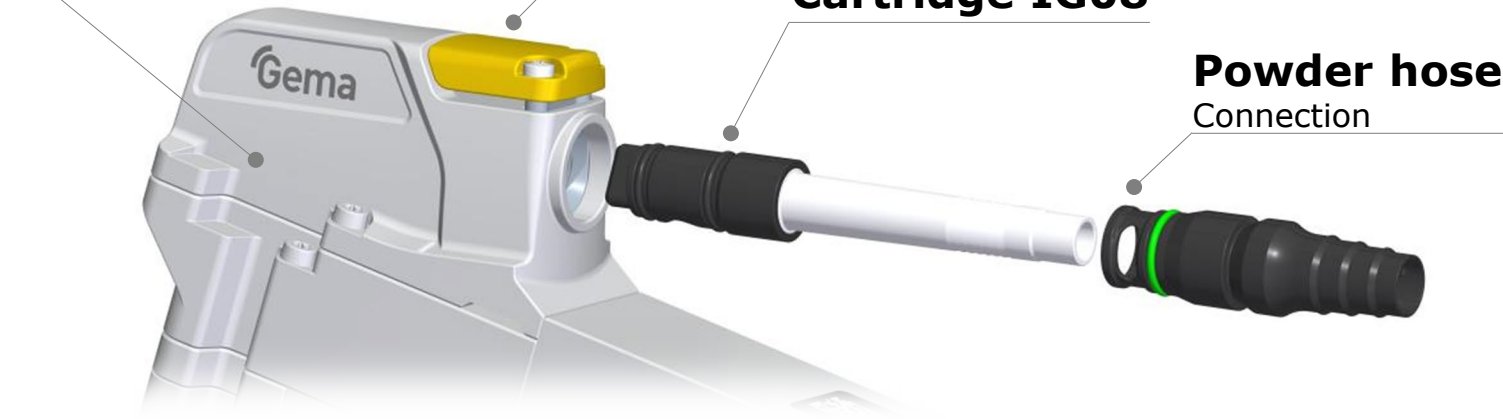
Quick release

Powder hose

Cartridge IG08

Powder hose

Connection



OptiFlow- Technology comparison

Performance capacity [%]

